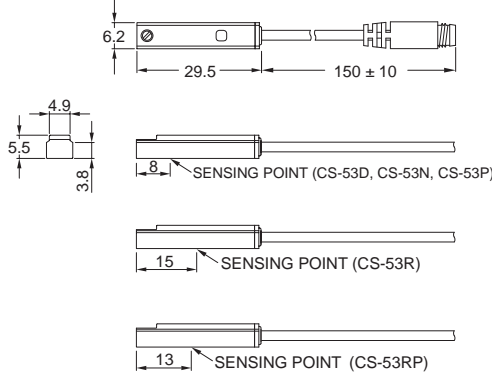




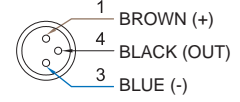
■ DIMENSIONS

CS-53R, CS-53D, CS-53N, CS-53P, CS-53RP /
CS-53R-QD, CS-53D-QD, CS-53N-QD, CS-53P-QD,
CS-53RP-QD

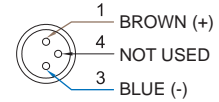


■ QD PINOUT

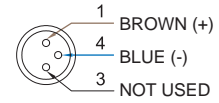
*3 wire QD wiring



*2 wire QD wiring



*2 wire EQD wiring



■ SPECIFICATIONS

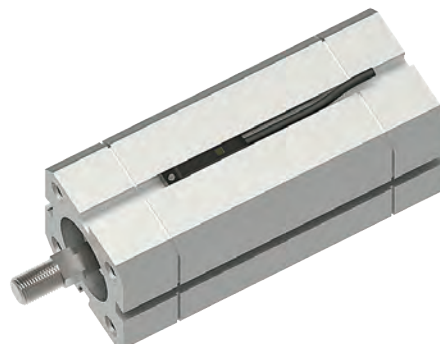
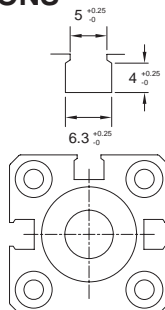
Unit:mm

TYPE	CS-53R	CS-53D	CS-53N	CS-53P	CS-53RP
CONNECT DIAGRAM					
CHARACTERISTICS	2-Wire Type		3-Wire Type		
Wiring Method	2-Wire Type		3-Wire Type		
Switching Logic	SPST, Normally Open	Solid State Output, Normally Open			SPST, Normally Open
Sensor Type	Reed Switch	-	NPN Current Sinking	PNP Current Sourcing	Reed Switch
Operating Voltage	5~240V DC/AC	10~28V DC	10~30V DC		10~30V DC/AC
Switching Current	100mA max.	50mA max.	100mA max.		500mA max.
Contact Rating (*1)	10W max.	1.5W max.	3W max.		10W max.
Current Consumption	-		8mA @ 24V DC max.		10mA @ 24V DC max.
Voltage Drop	3.5V max.		1.5V max.		0.1V @ 100mA max.
Leakage Current	-	0.8mA max.	0.01mA max.		-
Indicator	Red LED			Yellow LED	
Cable	ø3, 2C, PUR		ø3, 3C, PUR		
Operating Frequency	200Hz	1000Hz			200Hz
Magnet Requirement (*2)	70Gauss	50Gauss			70Gauss
Temperature Range	-10~70°C (+14~158°F)				
Shock (*3)	30G	50G			30G
Vibration (*4)	9G				
Enclosure Classification	IEC 60529 IP67 (NEMA 6)				
Protection Circuit (*5)	1	2,4	2,3,4		1

NOTE:

1. WARNING: Never exceed rating (Watt=Voltage x Amperage). Permanent damage to sensor will occur.
2. Measuring standard target: ø15.5Xø8X5t (Anisotropy rubber magnet)
3. Sin wave / X, Y, Z 3 directions / 3 times each direction / 11 ms each time.
4. Double amplitude 1.5 mm / 10Hz~55Hz~10Hz (Sweep 1 min) / X, Y, Z 3 directions / 1 hour each time.
5. 1=None / 2=Short-circuit / 3=Power Source Reverse polarity / 4=Surge Suppression

■ GROOVE DIMENSIONS



Unit:mm