

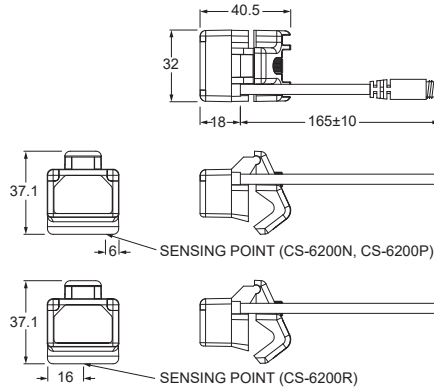
# CS-6200 SERIES



# Magnetic Sensor

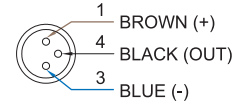
## ■ DIMENSIONS

CS-6200R, CS-6200N, CS-6200P /  
CS-6200R-QD, CS-6200N-QD, CS-6200P-QD

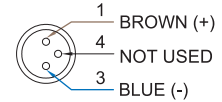


## ■ QD PINOUT

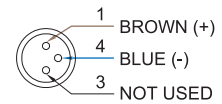
\*3 wire QD wiring



\*2 wire QD wiring



\*2 wire EQD wiring



## ■ SPECIFICATIONS

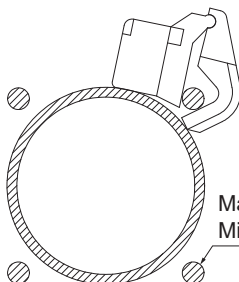
Unit:mm

TYPE	CS-6200R	CS-6200N	KT-6200P
CONNECT DIAGRAM			
CHARACTERISTICS			
Wiring Method	2-Wire Type	3-Wire Type	
Switching Logic	SPST, Normally Open	Solid State Output, Normally Open	
Sensor Type	Reed Switch	NPN Current Sinking	PNP Current Sourcing
Operating Voltage	5~240V DC/AC	5~30V DC	
Switching Current	1Amp. max.		
Contact Rating (*1)	30W max.		
Current Consumption (*2)	-	42mA @ 24V DC max.	30mA @ 24V DC max.
Voltage Drop (*2)	3.5V max.	1.5V @ 0.5A max.	
Leakage Current (*2)	-	0.01 mA max.	
Indicator	Red LED	Power : Green LED , Output : Red LED	
Cable	Ø4.5 PVC - 24 AWG ( 0.22 mm <sup>2</sup> ) - 2 cores	Ø4.5 PVC - 24 AWG ( 0.22 mm <sup>2</sup> ) - 3 cores	
Operating Frequency	200 Hz	1000 Hz	
Magnet Requirement (*2, *3)	80 Gauss	45 Gauss	
Temperature Range	-10~70°C (+14~158°F)		
Shock (*4)	30G	50G	
Vibration (*5)	9G		
Enclosure Classification	IEC 60529 IP67 (NEMA 6)		
Protection Circuit (*6)	4	3,4	

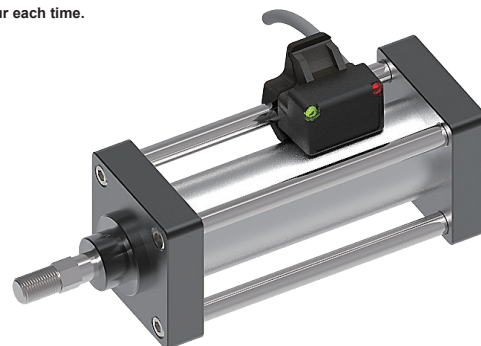
**NOTE:**

1. WARNING: Never exceed rating (Watt=Voltage x Amperage). Permanent damage to sensor will occur.
2. It bases on conditions of voltage 24 V DC, ambient temp. 25 °C and 2 meters cable of sensor. Voltage drop increases in pace with cable length.
3. Measuring standard target: ø15.5xø8X5t (Anisotropy rubber magnet)
4. Sin wave / X, Y, Z 3 directions / 3 times each direction / 11 ms each time.
5. Double amplitude 1.5 mm / 10Hz~55Hz~10Hz (Sweep 1 min) / X, Y, Z 3 directions / 1 hour each time.
6. 1=None / 2=Short-circuit / 3=Power Source Reverse polarity / 4=Surge Suppression

## ■ SELF MOUNTING CLAMPS



Max. tie-rod diameter Ø17.5  
Min. tie-rod diameter Ø6



Unit:mm